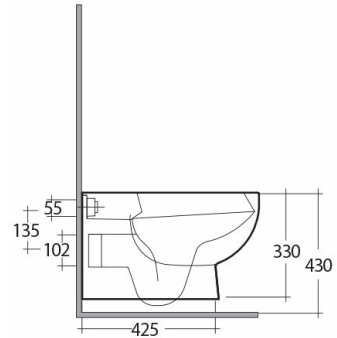
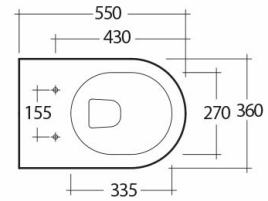


RAK-TONIQUE W/HIDDEN FIXATIONS

Wall Hung | Water Closet

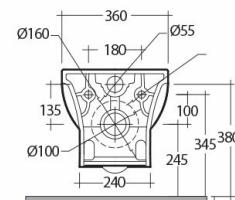


RAK
CERAMICS



Technical specifications

Dimensions:	550 x 360 mm
Weight:	25 Kg
Color:	Alpine White
Trap type:	P Trap
Trapway type:	Concealed
Seat cover options:	ABS & Urea
Bowl shape:	Oval
Soft close:	yes
Dual flush:	yes
Suites:	



Code	Name
TQ13AWHA	TONIQUE WATER CLOSET RIMLESS WALL HUNG W/HIDDEN FIXATIONS 55CM

Dimensions: All dimensions in mm tolerance $\pm 5\%$ for below 200mm and $\pm 3\%$ for above 200mm.
 Note: Due to a continuing development programme to improve design and performance, the manufacturer reserves all rights to vary specifications without prior information.
 Please note accessories are for photographic use only.