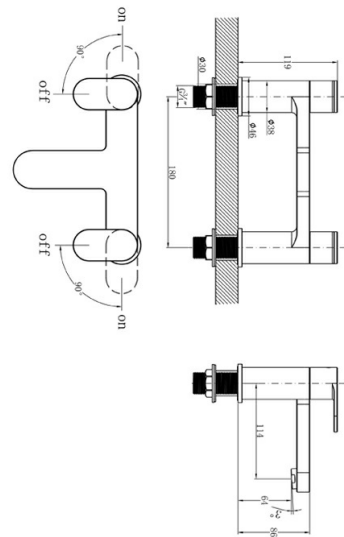


Compact Bath Filler

Compact Bath Filler Faucets



RAK
CERAMICS



Technical specifications

Dimensions:	None
Weight:	2.25 Kg
Color:	Chrome
Chrome thickness:	0.30
Cartridge:	Yes
Tail:	NA
Pressure:	3.00

Code	Name
RAKCOM3004	Compact Bath Filler

Dimensions: All dimensions in mm tolerance $\pm 5\%$ for below 200mm and $\pm 3\%$ for above 200mm.

Note: Due to a continuing development programme to improve design and performance, the manufacturer reserves all rights to vary specifications without prior information.

Please note accessories are for photographic use only.