

matki | S H O W E R I N G

EAUZONE PLUS
EPB - TWO PANEL BATHSCREEN



BUY NOW

INSTALLATION

PARTS LIST

BRITISH PATENT NO:2470778



EPB

MATKI PLC, CHURCHWARD ROAD, YATE, BRISTOL, BS37
5PL TELEPHONE:01454 328816 (AFTER SALES) FAX:01454 328821

IMPORTANT

TOOLS REQUIRED

Masonry Drill bit 6mm, Tape Measure, Screw Drivers, Safety Glasses, Electric Drill, Level, Pencil, Adjustable Spanners, Non Slip Gloves

Before disposing of carton and/or commencing assembly, please check all the parts to ascertain that none are missing and they are all undamaged. No claim for missing/damaged parts will be accepted once the packing carton has been disposed of and/or assembly has commenced.

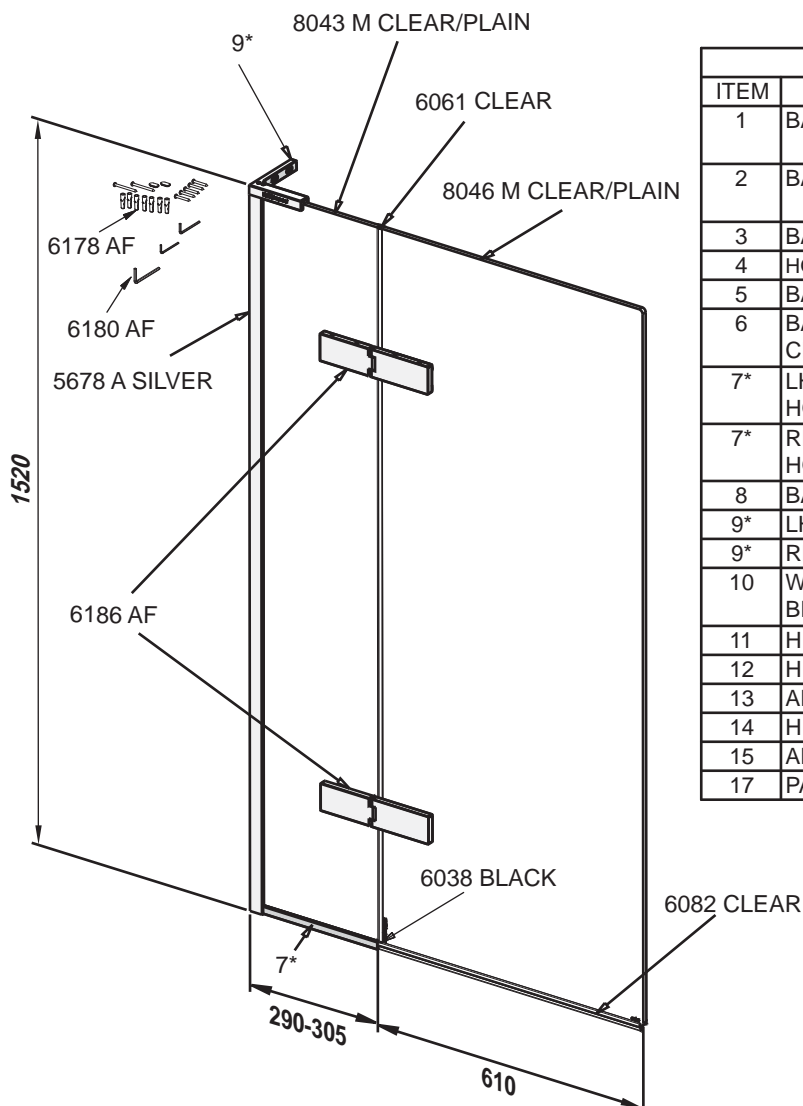
In case of query contact your Stockist with details of model number and details of serial number.

PREPARATION IMPORTANT

1. Please read complete installation instructions before fitting for Bathscreen.
2. We recommend the use of Safety glasses and Non slip gloves when handling the glass panels.
3. Ensure that the product can be **fixed to a solid masonry wall** or suitable **timber stud work grade C16/C24** in the area behind the Wall frames and Panel fixing brackets.
7. Seal between Bath and tiles. Remove any excess sealant from the area/joint between the Bath and the tiles where the Wall Mount is to be fitted. This will ensure the Wall mount fits correctly to the wall and Bath.

CAUTION: TEMPERED GLASS CANNOT BE CUT, POLISHED METAL AND CHROME CAN BE SCRATCHED. CAREFULLY REMOVE ASSEMBLY FROM CARTON, DO NOT PLACE GLASS ON HARD FLOOR OR EXPOSE EDGES TO IMPACT.

DIMENSIONS/ PARTS LIST



PARTS LIST

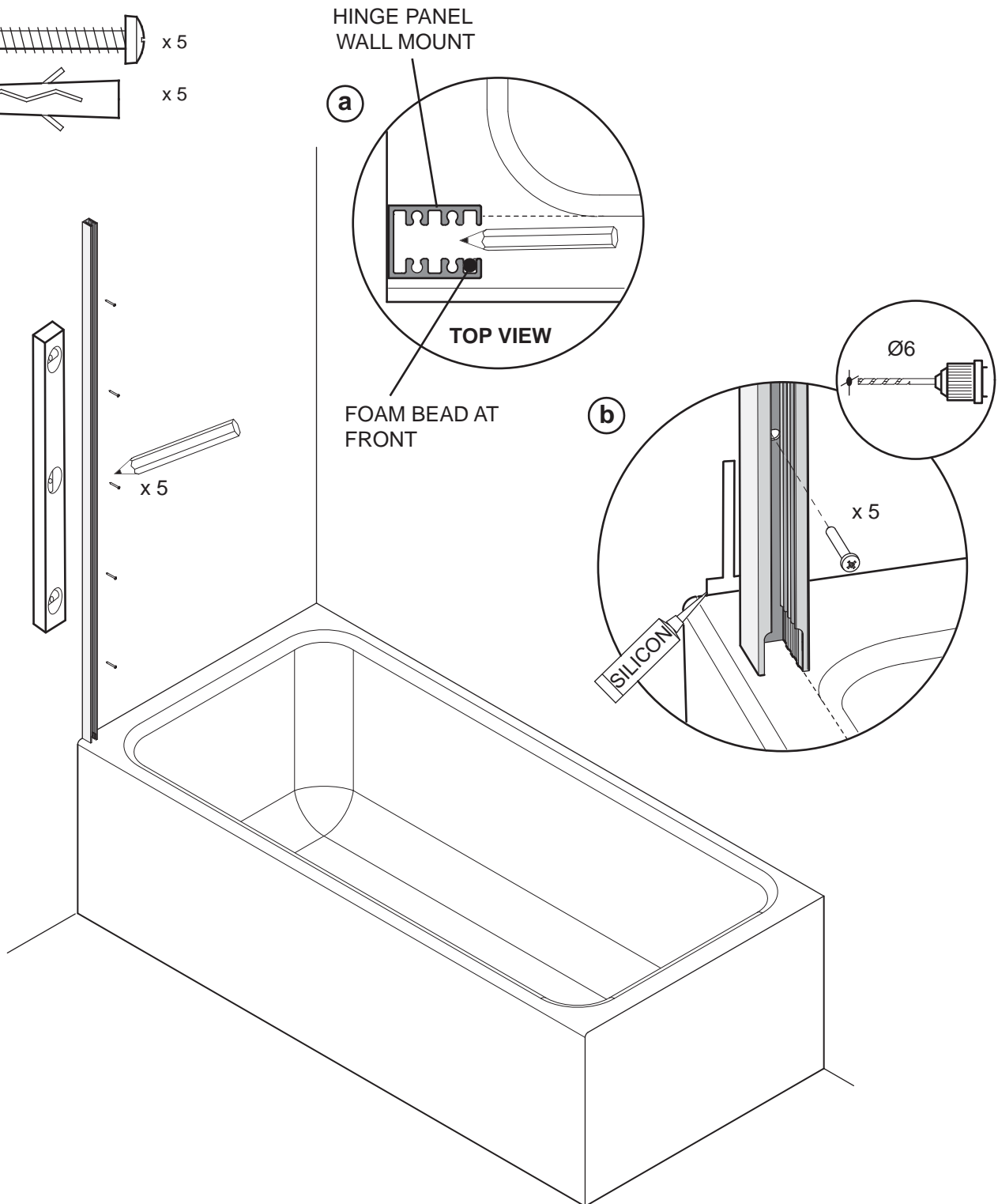
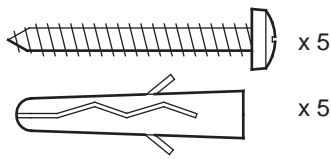
ITEM	DESCRIPTION	PART No.	QTY	LENGTH
1	BATH SCREEN HINGE PANEL	8043 M CLEAR/PLAIN	1	
2	BATH SCREEN DOOR	8046 M CLEAR/PLAIN	1	
3	BATHSCREEN WALL MOUNT	5678 A SILVER	1	1498 mm
4	HORIZONTAL BATH SCREEN SEAL	6082 CLEAR	1	620 mm
5	BATH SCREEN SEAL BUFFER	6038 BLACK	1	
6	BATH SCREEN HINGE CLOSURE SEAL	6061 CLEAR	1	1491 mm
7*	LH BATH SCREEN HORIZONTAL	5679 A SILVER	1	
7*	RH BATH SCREEN HORIZONTAL	5685 A SILVER	1	
8	BATHSCREEN HINGES	6186 AF	1	
9*	LH TOP WALL BRACKET	6183 AF	1	
9*	RH TOP WALL BRACKET	6182 AF	1	
10	WALL MOUNT & TOP BRACKET PARTS KIT	6178 AF	1	
11	HINGE GASKET	4560 AF	4	
12	HINGE PLATE GASKET	4559 AF	4	
13	ADJUSTMENT BLOCK	6040 A SILVER	4	
14	HINGE-GLASS INTERFACE	6041 BLACK	8	
15	ADJUSTMENT BLOCK GASKET	4561 AF	4	
17	PANEL HINGE PARTS KIT	6180 AF	1	

Dimensions are approximate

* Item varies depending of model handing

STAGE 1

IMAGES SHOW LH HINGED BATHTHRAIN INSTALLATION.
(SCREENS ARE SUPPLIED HANDED AS ORDERED)

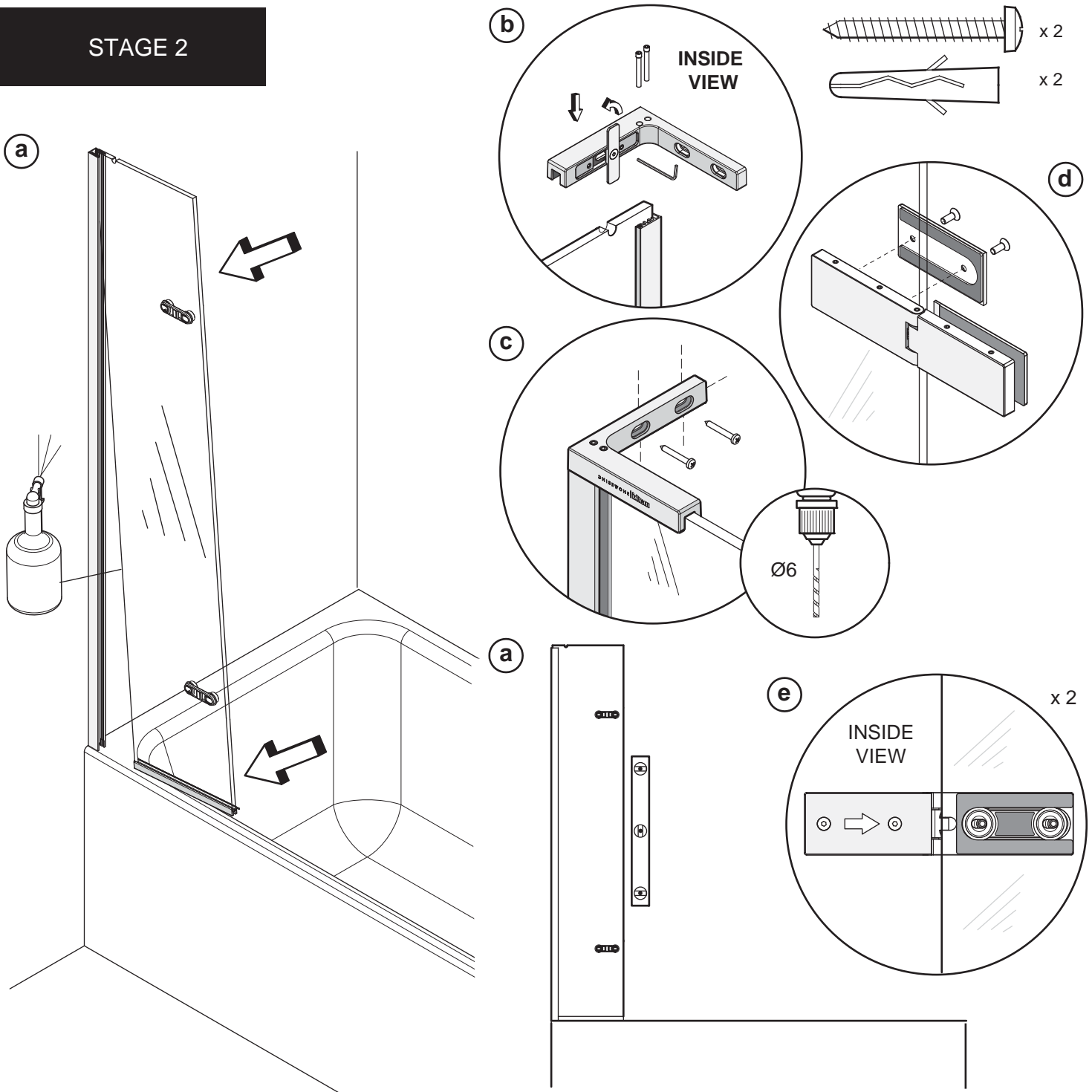


This stage is describing the fitting of the Wall mount

a. Position the Wall mount on to the Wall and down on to the Bath (Wall Mount has a top and bottom, cut-out should be at bottom). As a guide align the inner cut out on the Wall mount with the top radius edge on the inside face of the bath, see dashed line above. Plumb the Wall mount for upright and mark the fixing holes in the centre of the slots.

b. Drill 5 x fixing holes in the Wall and insert Wall plugs. Clean area and apply Silicon Sealant to the area behind the Wall mount between the tray and tiles and 100mm up the Wall, central to the width of the Wall mount. Fit the Wall mount using the No.8 x 32mm Pan Head Screws

STAGE 2



This stage is describing the fitting of the Hinge panel.

a. Lightly wet the edge of the Hinge panel with soapy water and gently lower the panel into the Wall mount. Push the top of the panel into the Wall mount first, followed by the bottom. Plumb for upright.

b. Fitting of Hinge panel top bracket: Loosen the Countersunk socket screw in the Top bracket back plate until the Back plate can be rotated. Rotate the Back plate 180° to vertical. The plate should now adjust left to right, moving the Glass stop and Glass gasket with it. Carefully fit the Top Bracket over the glass panel, the Glass stop should fit into the notch in the top of the Hinge panel.

c. Mark the centre of the slotted holes in the Top bracket onto the Wall, remove the Top Bracket and drill and fix the wall plugs.

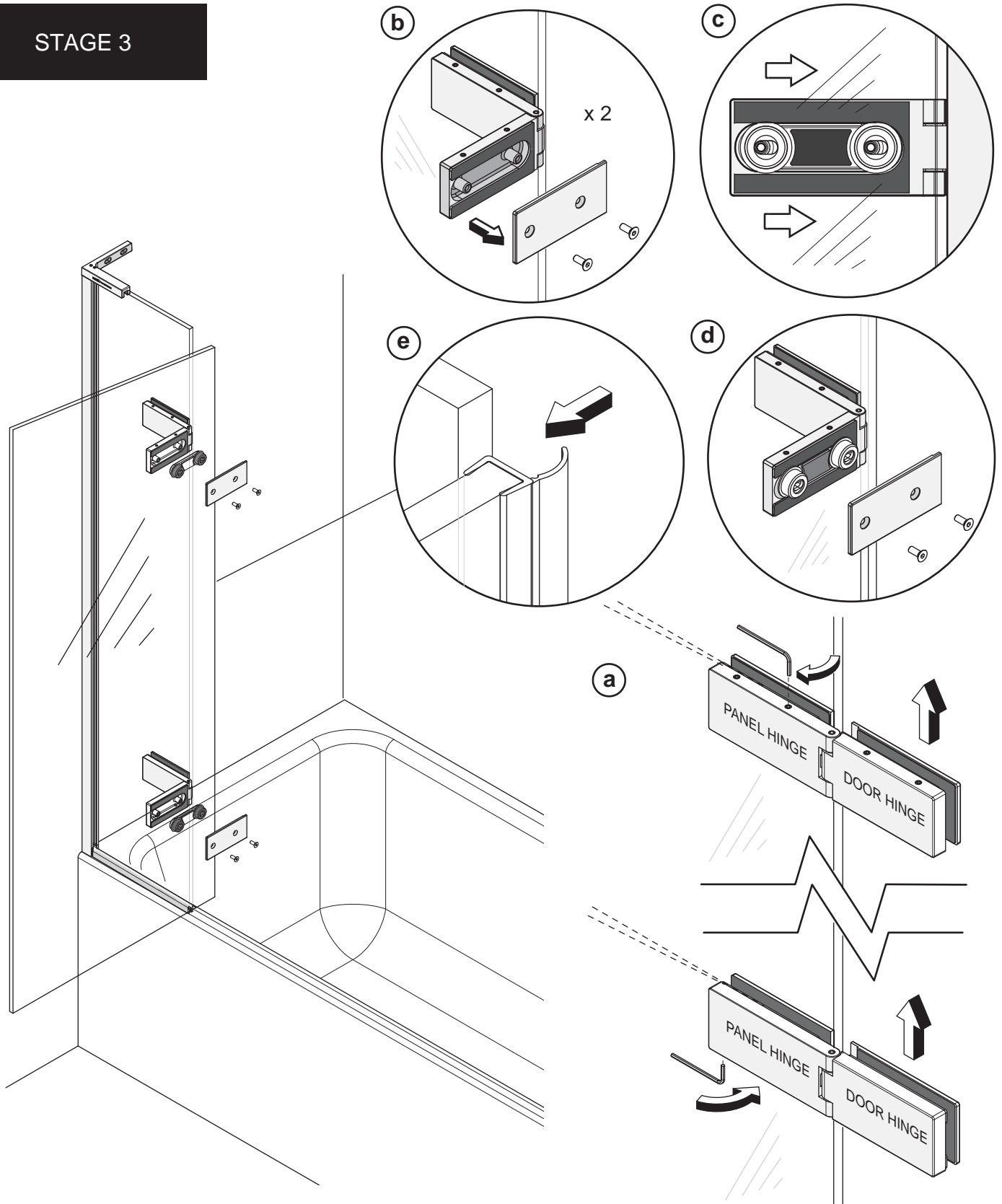
b. Re fit the Top Bracket. Fit the 2 x Socket cap screws through the Top Bracket into the extrusion. Tighten the 2 off M5 x 4 Socket set screws (do not over tighten). Rotate the Back plate to fit into the Top bracket recess and re fit the Countersunk socket screw (do not over tighten).

c. Fix the Top Bracket to the Wall using the No.8 x 32 Pan Head screws.

d. Remove and set aside the Hinge panel back plates from the Hinge assemblies (**Hinge panel = female side of the Hinges, Door = male**). Place the upper Hinge assembly on to the face of the Hinge panel glass over the Adjuster block (factory fitted). (The Hinges are handed top and bottom, ensure the Socket set screws are visible on the top of the top Hinge and on the underside of the lower Hinge). Push the Hinge assembly so that it is fully adjusted over towards the Hinge panel wall side.

e. Re-fit the Back plate to fix the Hinge assembly to Hinge panel glass. Repeat for the Lower hinge assembly.

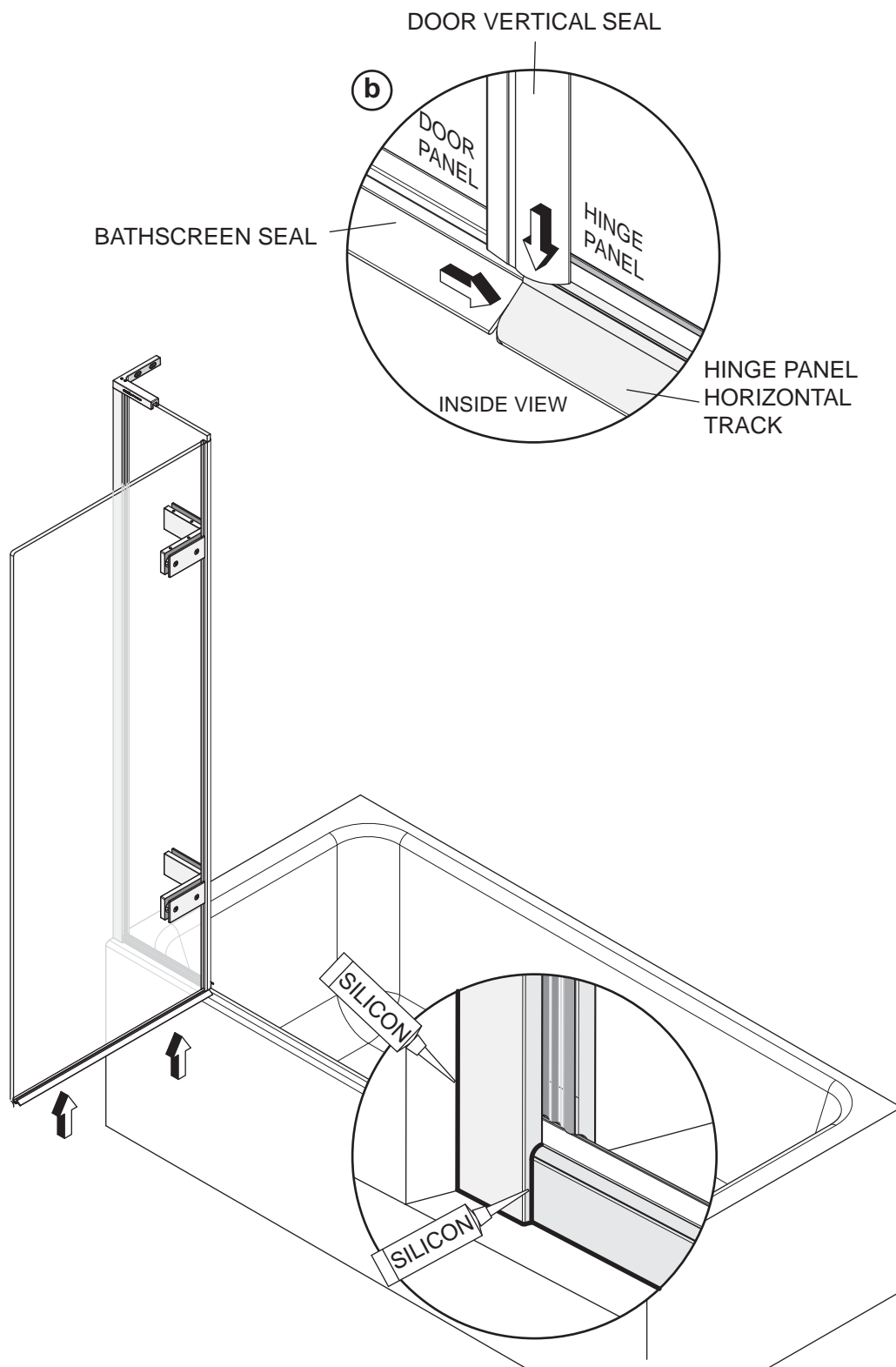
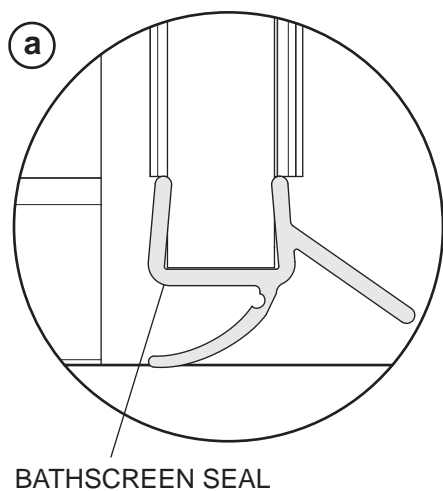
STAGE 3



This stage is describing the hanging of the Door.

- a.** On the Hinge panel side of the Hinge assemblies - Tighten down the top inner Socket set screw on the upper Hinge and the underside outer Socket set screw on the lower hinge to lift the Hinge upwards. **We recommend that you angle the Hinges slightly upwards towards the Door side to allow the Hinge to be adjusted downward to horizontal when the Door is fitted.**
- b.** Remove and set aside the Hinge back plates on door side of the Hinges.
- c.** Carefully lift the Door onto the Hinges, ensuring the Adjustment blocks fitted to the glass are on the Hinge side. The door has left to right adjustment, push the Door glass fully towards the inside of the enclosure (on minimum adjustment).
- d.** Re-fit the back plates.
- e.** Push fit the Door vertical seal to the Hinge side of the Door.

STAGE 4



This stage is describing the hanging of the Door.

a. Fit the Bathscreen seal to the bottom of the glass panel, with the Door in the open position.

b. In the closed position, push the Bathscreen seal so that it meets the end of the Fixed panel Horizontal Frame.

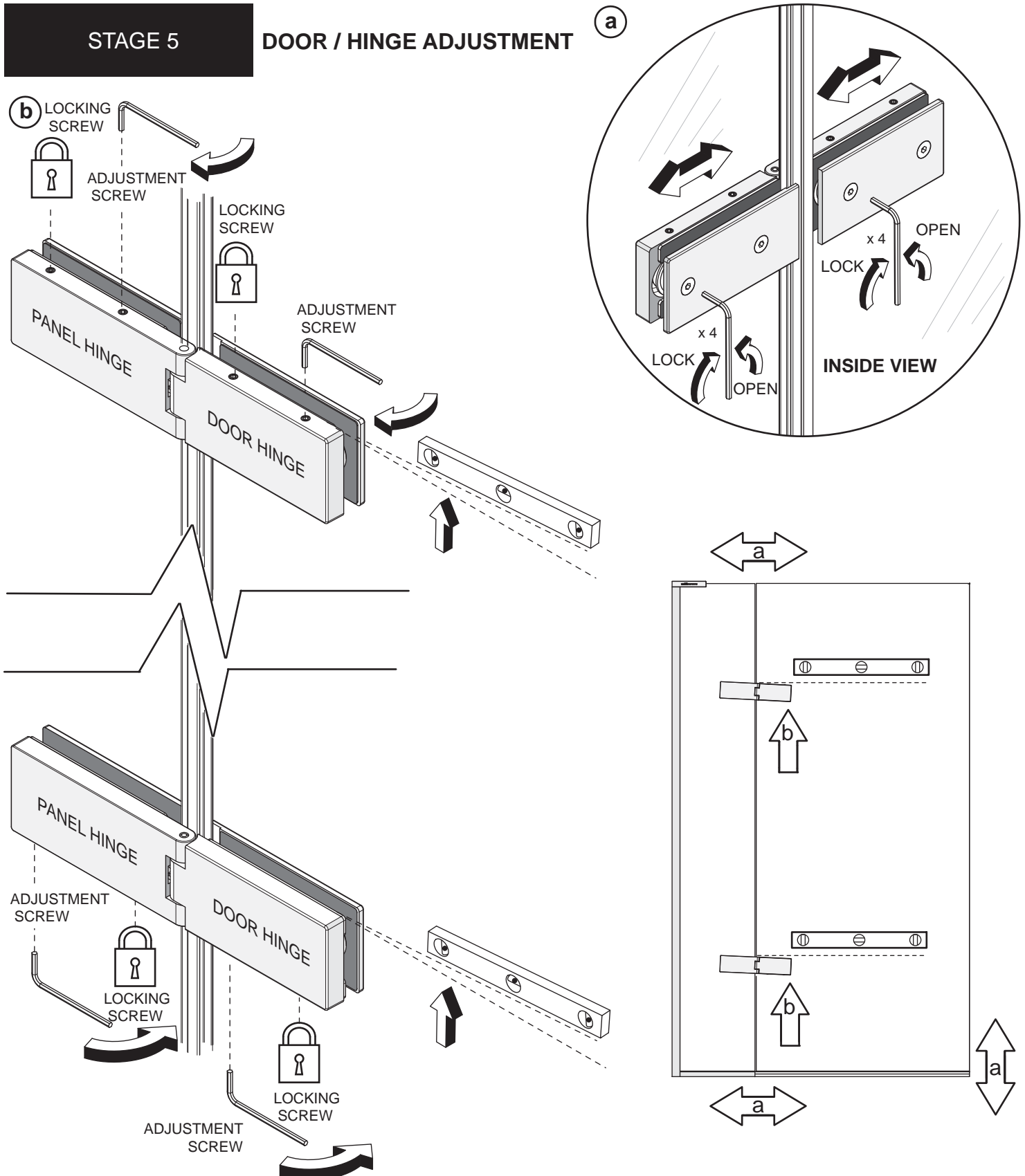
If Door needs adjusting away from the Bath see stage 5. Door Hinges can also be adjusted at this stage.

b. Important, After Door adjustment check all the seals are fitted correctly. With the Door in the closed position, ensure the Door vertical seal sits directly on top of the Hinge panel horizontal track and that the Bathscreen seal is pushed up to the face of the Hinge panel horizontal track.

c. Apply a thin bead of silicon along the bottom edge of the Wall Mount and all the way up the outside of the Wall mount extrusion between the Wall mount and the tiles. Apply a thin bead all the way along the Hinge panel horizontal between the extrusion and the Bath. Continue around the joint where the Horizontal extrusion joins the Wall mount. Masking tape can be used to achieve a tidy edge to the sealant. Remove the masking tape immediately and allow the silicon to cure for 24 hours before using the shower.

STAGE 5

DOOR / HINGE ADJUSTMENT



This stage is describing the Door adjustment

a. The Door glass can be adjusted left to right to open/close the distance between the edge of the Door glass and the Hinge seal and to lift the corner of the Door away from the Bath. Loosen the 4 x M6 x 16 Csk socket screws in the back of the Door side of the hinges, adjust the Door left or right. Retighten the 4 x Csk socket screws. Repeat if necessary on the Hinge panel side of the hinges.

b. To lift the Hinges on the Door side, tighten down the top outer Socket set screw on the upper Door hinge and the underside inner Socket set screw on the lower Door hinge. Lock the Door hinge in position by tightening the top inner Socket set screw and the underside outer Socket set screw on the lower Hinge. To lift the Hinges on the panel side, tighten down the top inner Socket set screw on the upper Panel hinge and the underside outer Socket set screw on the lower Panel hinge. Lock the Panel hinge in position by tightening the top outer Socket set screw and the underside inner Socket set screw on the lower Panel hinge.

MAINTENANCE

Matki Glass Guard Easy Clean Surface Protection (optional) and General Cleaning Guide

Cleaning Instructions

Matki Glass Guard allows water to form minute beads which easily trickle off the surface of the glass. This makes the glass easier to clean - the glass does not need to be cleaned as frequently, but it does require occasional maintenance. As less cleaning is required the use of detergents can be minimised thus helping to protect the environment. The lifespan of the Matki Glass Guard is dependant on the frequency of use of the shower and the degree of water hardness.

The combination of alkaline materials and humidity affects glass in an extremely aggressive way. Do not use bleach, alkaline, acid-based or aggressive and abrasive glass cleaners, detergents or household cleaning products on the glass or frames.

We recommend that glass is washed down with clean water and a soft clean cloth or sponge and dried off with a microfibre cloth.

The special coating is only present on the inside of the glass.

Matki Glass Guard is guaranteed for 2 years provided that the guidelines and cleaning instructions are followed.

Aluminium and Chrome parts should be cleaned with a mild non scratch household cleaner and a soft cloth or sponge.

Do not use acidic-based descaler products or products which are unsuitable for cleaning enamelled surfaces, including abrasive cleaners or cleaners containing bleach or solvents, as the products will effect the anodised framework. Under no circumstances use cleaners with a pH level exceeding 8.

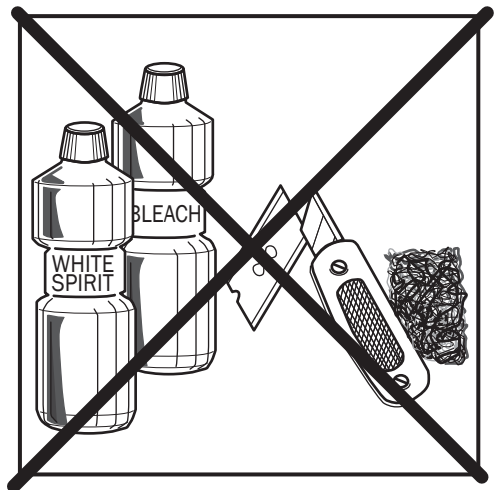
Matki does not recommend the use of 'Leave-on' shower cleaners on Matki Glass Guard Products.

Water Softeners and Glass Guard - Certain types of water softeners increase the alkalinity of the water due to a carry-over of Chloride during re-generation which can cause aggressive water spots on both untreated and Glass Guarded glass. If using a water softener we recommend a two-cylinder machine with automatic re-generation instead of a timer. If a single-cylinder water softener with timer is already installed it is recommended that after each shower excess water is removed from the glass with a squeegee or with a micro-fibre cloth.

Annual recommended maintenance - Matki recommend annually lubricating the barrel of the hinge with a lubricating spray such as WD-40 to remove dust build-up and to aid the movement of the hinge.



Wash down with clean warm water and a soft clean cloth or sponge.



Do not use bleach, alkaline or acid-based, aggressive or abrasive cleaning products.

Flash Bathroom Spray or Cif Bathroom Spray can be used on Matki Products.

Various specialist cleaning and glass dressing products are available from Ritec International Ltd Tel. 020 8344 8210 or www.ritec.co.uk.

Matki Plc is not connected with Ritec International Ltd in any way and the contact details are supplied for information only. Read manufacturers label before using any cleaning materials.

IMPORTANT

Matki Glass Guard is guaranteed for 2 years. It is essential that the cleaning instructions are followed in order to maintain the hydrophobic properties of the glass coating. In the event of the failure to comply in any way with these instructions, any warranty or guarantee will be null and void.

MATKI PLC, CHURCHWARD ROAD, YATE, BRISTOL, BS37 5PL TELEPHONE:01454 328816 (AFTER SALES) FAX:01454 328821



matki | SHOWERING

13

Matki PLC, Churchward Road, Yate,
Bristol BS37 5PL

EN 14428:2008+A1